

SINGER

410W110

Form 3026w
(350)
Printed in U. S. A.

SINGER**

410w110



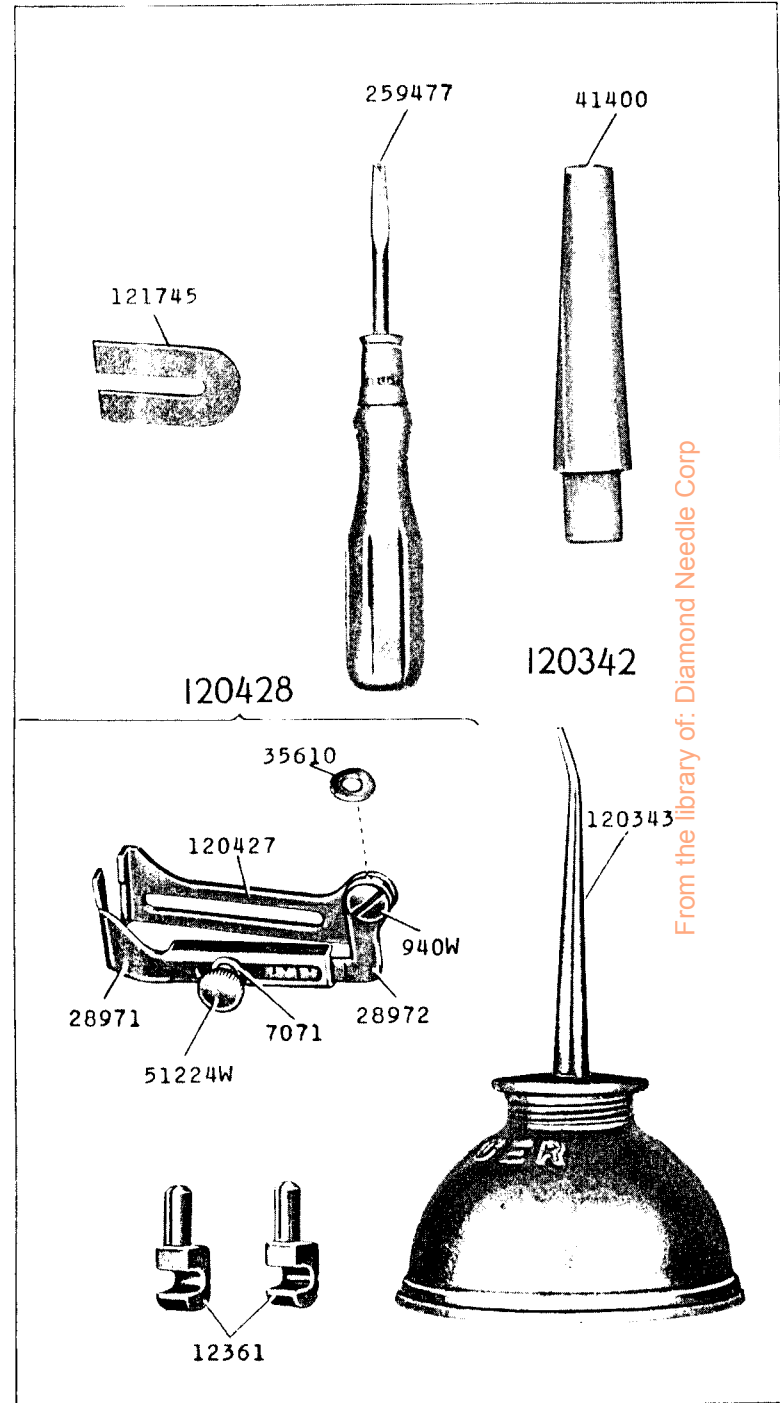
** A TRADE MARK OF
THE SINGER MANUFACTURING COMPANY

From the library of: Diamond Needle Corp

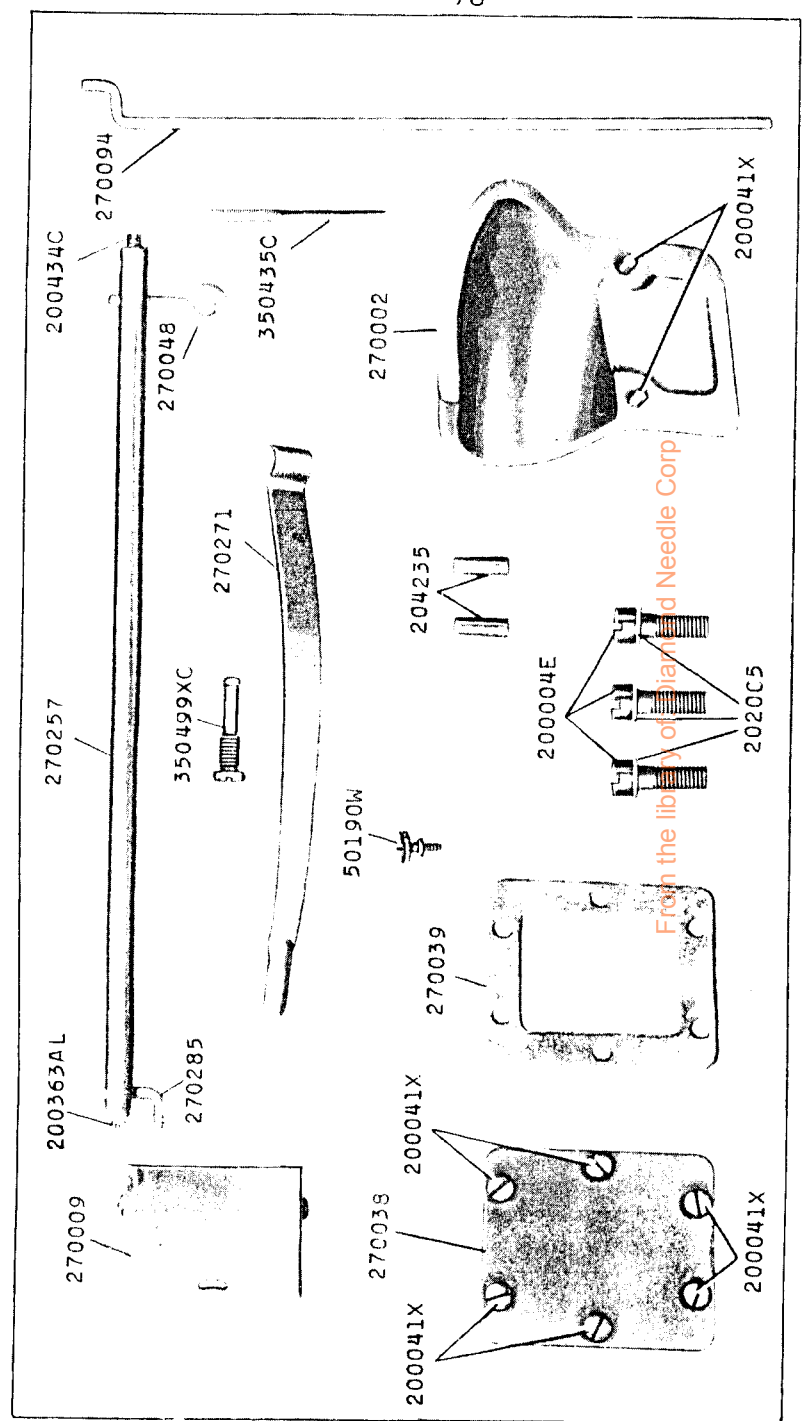
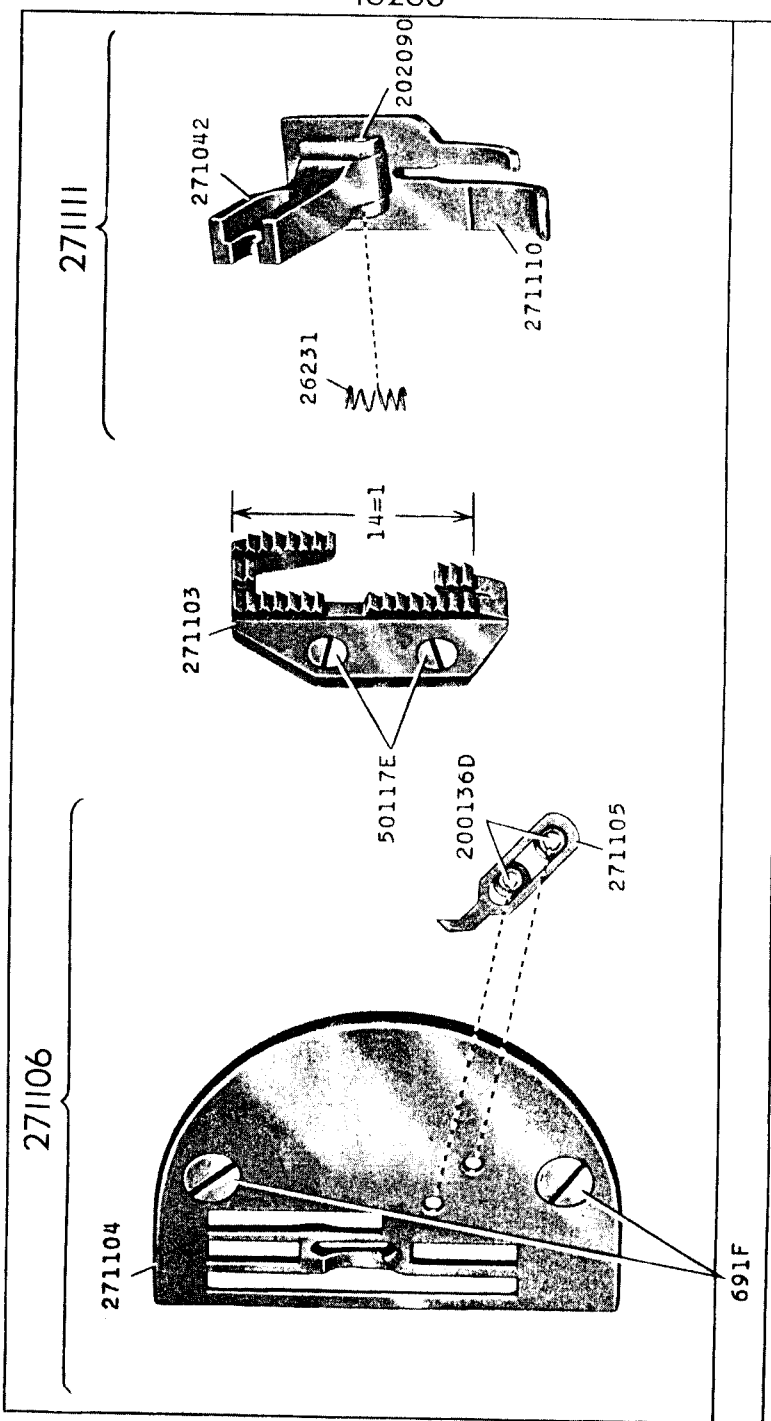
18280 - 1/2



Copyright, U. S. A., 1941, 1942, 1946 and 1950
 by The Singer Manufacturing Co.
 All Rights Reserved for all Countries

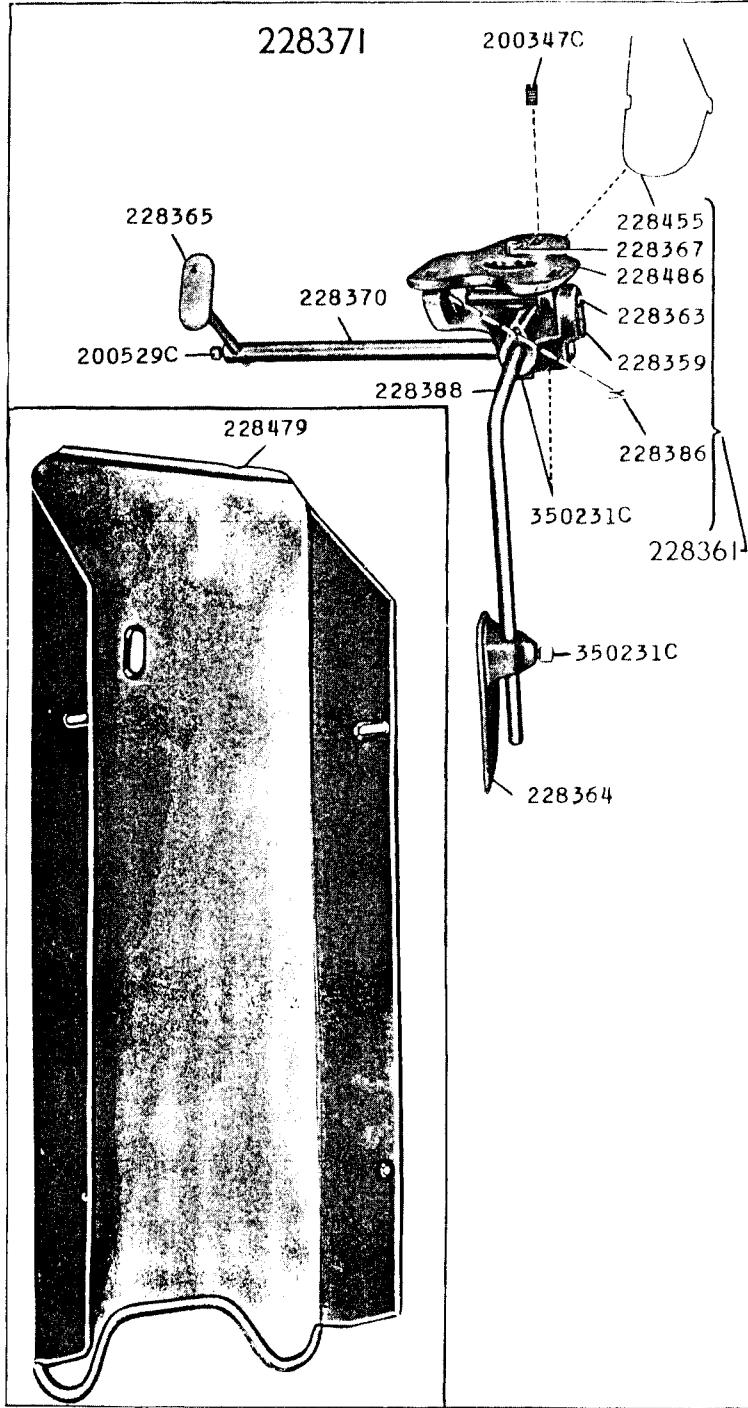


From the library of: Diamond Needle Corp

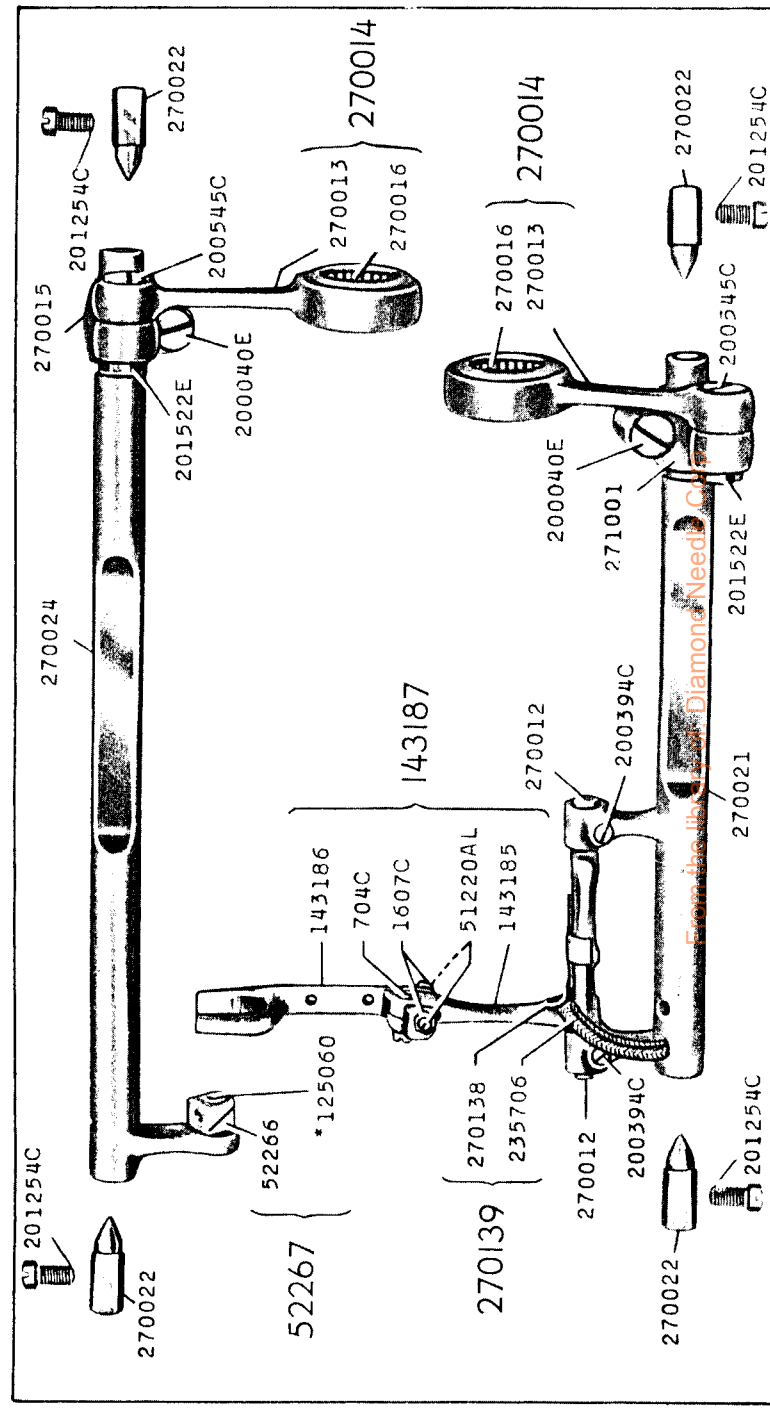


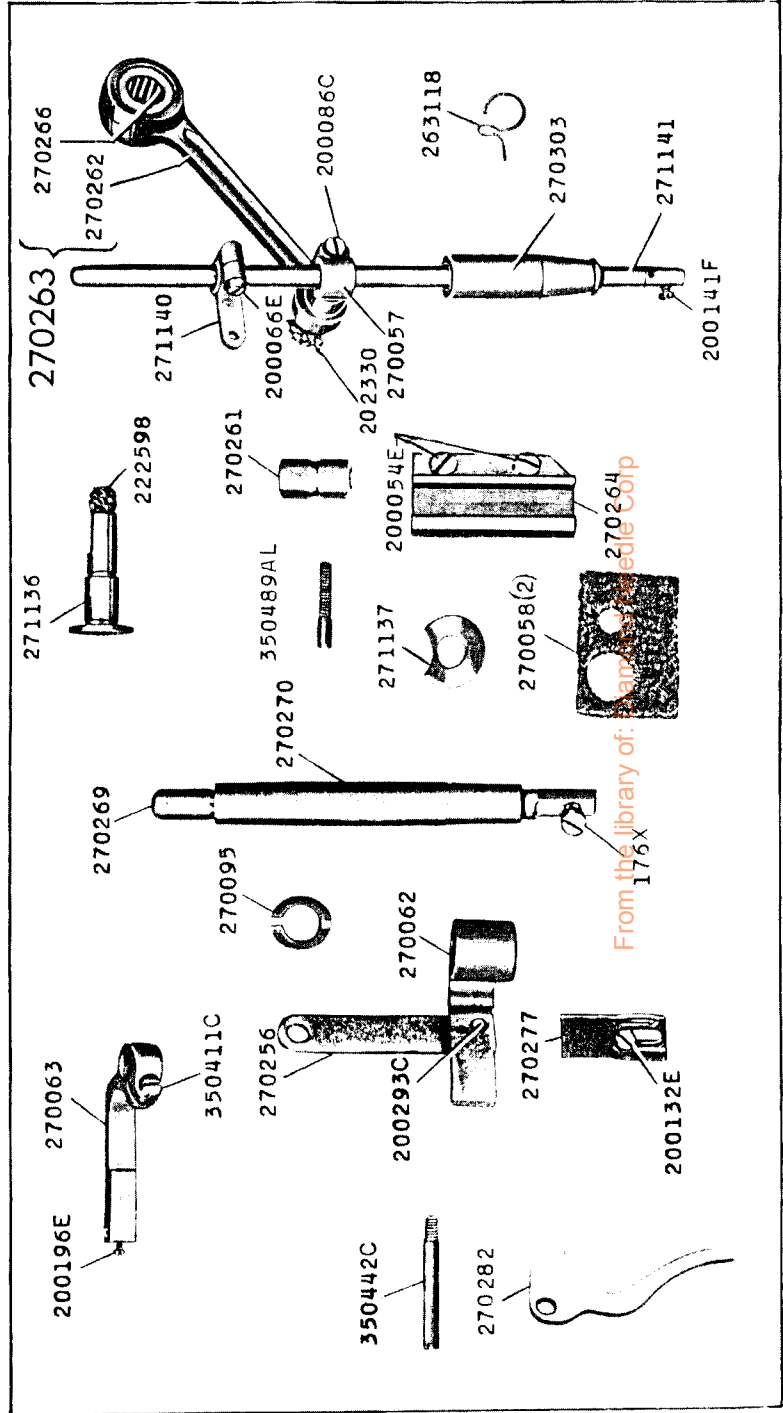
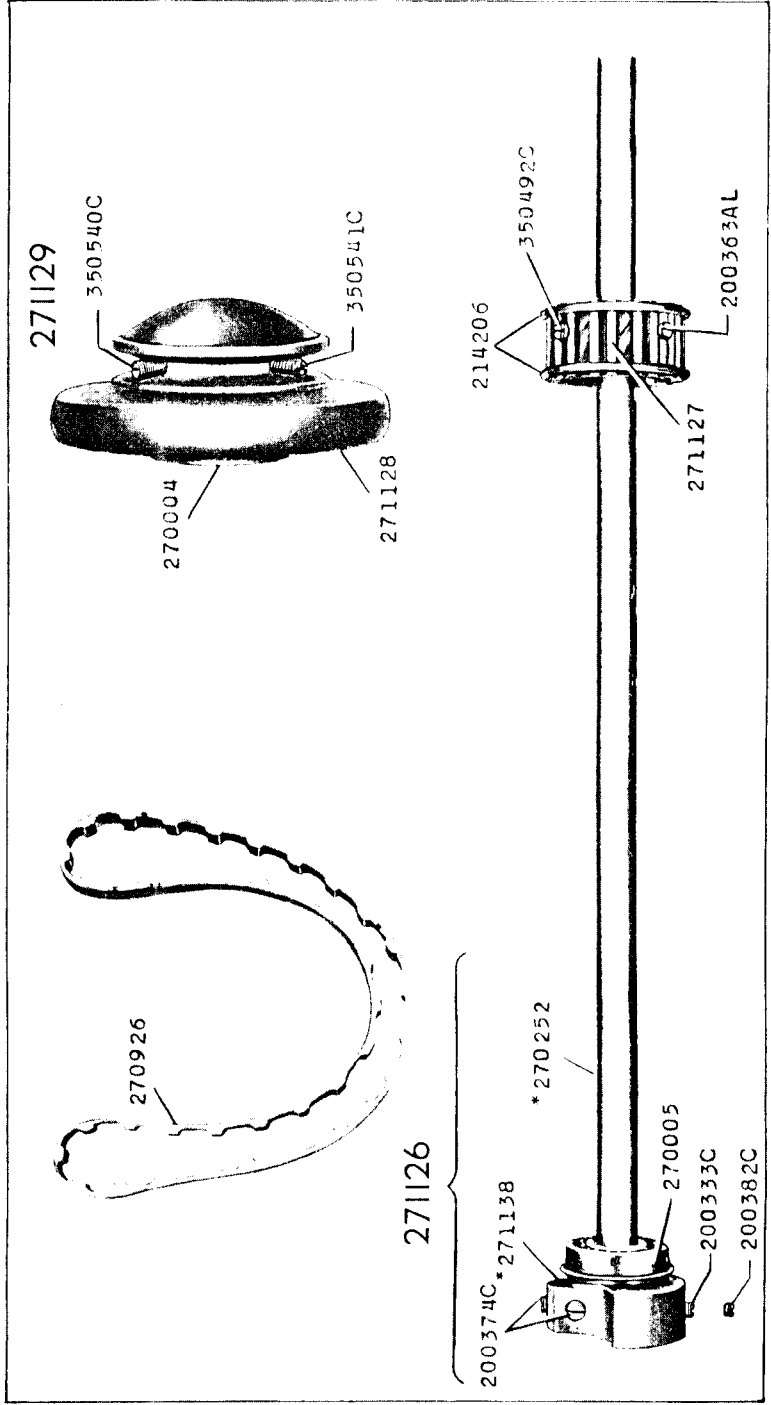
From the library of www.needlecorp.com

18333 - 1/4

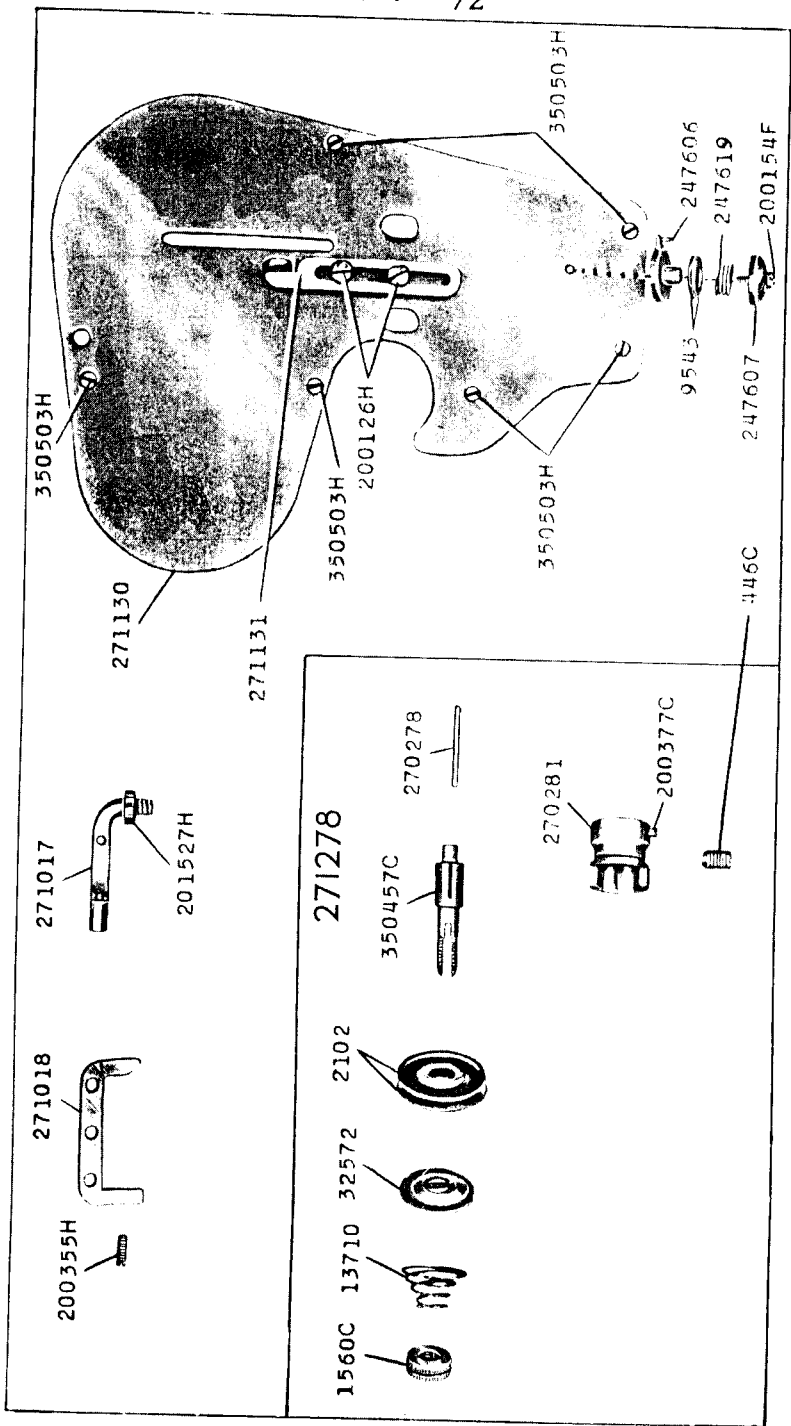


18454 - 1/2





18457 - 1/2



18458 - 3/8

